



Hahn Klemmband

KLEMMband

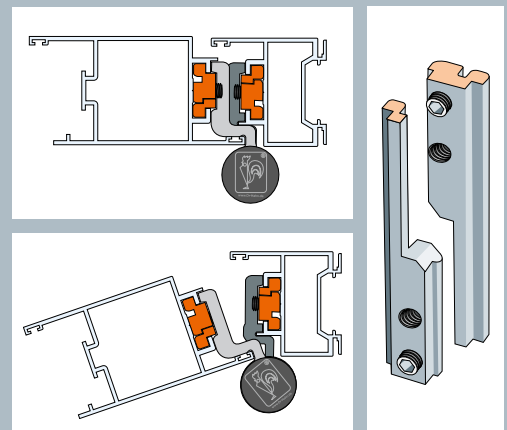
Quick installation without any drilling



Hahn Klemmband – quick installation without any drilling

These three features make the Hahn Klemmband an easy-to-use product: A divided mounting stone facilitates the installation of the door hinge. The fastening aid integrated in the stone facilitates not only quick installation by one person alone but also allows for mounting the hinge to the installed frame on site. The Hahn Klemmband may be adjusted horizontally and vertically without having to raise or remove the door. The patented toothed bushing, now used in conjunction with clamp hinges for the first time, allows for variable adjustment without having an effect on the sealing pressure.

- Areas of application:
 - Doors made of aluminium section, suited for both residential and commercial structures
 - Main entrance doors
 - Side entrance doors
 - Interior doors
 - Exterior doors
 - Entrance doors for flats
- Available for almost every major aluminium section with clamp groove
- Snug fit of all bearing and guide elements
- All assembly components and accessories are included in the scope of delivery





Hahn Klemmband (for metal doors)

- Material: Made of extruded aluminium
- Fastening method: Split clamping plate
- Load capacity: Depending on profile section design max. 90 kg
- Adjustability: Without raising or removing the door adjustable in 3 directions
 - Horizontal adjustment $\pm 1,5$ mm
 - Vertical adjustment + 5 mm
- Can be used on left or right
- Certifications: CE-certified according to EN1935:2002 hinge class 12
- Colours: Hinges deliverable in anodised colours and RAL Colours

The Hahn Klemmband is a system-adapted hinge which was developed in close co-operation with door manufacturers. Different door/frame combinations require special solutions. To help us process your enquiry and order, we require accurate information about the respective door/frame combination to be used.